

Hydraulic lift

Lever-operated manual pump action

technical features

- Hydraulic piston action by lever.
- Maximum load: 140 kg.
- 100-mm turning wheels; the two back wheels are equipped with self-blocking brake for fixing the lift in position.
- Width-adjustable carrying base for easy access to its interior in wheelchairs or similar vehicles.
- Easily-cleaned and impermeable harnesses, made in special anti-allergy materials.
- Structure manufactured in steel tube and oven-painted with two-coats of high scratch-resistance metallic paint.
- Partially-foldable for daily storage.
- Sizes adapted for use in limited spaces.
- Total fold-up space for transport or storage (up to 155x55x35 cm).

tempo

LIFTS

This is ideal for transporting people from bed, the wheelchair, bath or car, etc. to any place that may be required.



■ **basic nappy-type harness allowing for two support types according to user need.**



■ **happy-type harness with head designed for those people who need comfortable head support. It allows for two support types according to user need.**



■ **very free seat and back double-support harness. The chain system allows for several support level heights.**



■ **Total lift folding**

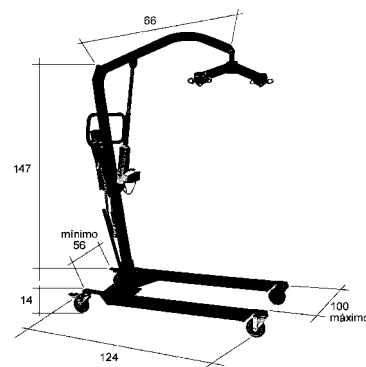


■ **3-position opening and closing of the carrying base.**

position 1



positions 2 and 3



SUMAX / TEMPO MODEL



Polígono Industrial Estruc • Gaiter del Llobregat, 131 - Ap. de correos nº 16 • Tel. +34-93 478 08 48 • Fax +34-93 478 15 82
08820 El Prat de Llobregat • Barcelona (Spain)
www.lifante.net • e-mail: comercial@lifante.net